

INSTALLATION AND ASSEMBLY INSTRUCTIONS

XLHB Series

WARNING: Failure to follow instructions could result in damage to product and void warranties!

WARNING: Risk of fire or electrical shock. Disconnect power before installing or servicing.

WARNING: Verify the existing input voltage and ensure it matches input rating on luminaire's product label, located on inside of access cover.

WARNING: Before proceeding, read all instructions carefully to ensure proper and safe installation.

IMPORTANT: This product must be installed in accordance with the applicable installation code by a person familiar with the construction and operation of the product and the hazards involved.

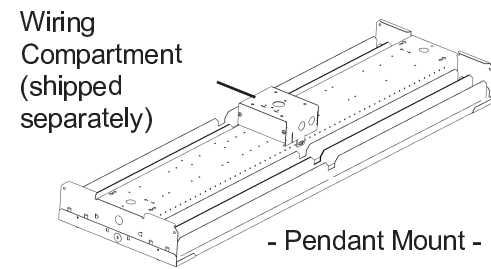
SMARTVISION®



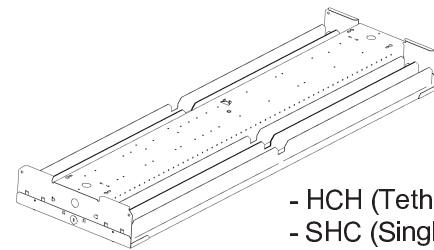
Listed to UL1598
Suitable for Damp Locations

LUMINAIRE PREPARATION

1. Remove XLHB from carton. Place carton onto work surface.
2. Place XLHB - lens facing downward - onto carton to protect finish.
3. Identify which model you have by comparing to Figure 1.
4. XLHB can be installed many ways. Follow the appropriate steps for preferred mounting method.



- Pendant Mount - Page 1 & 2



- HCH (Tethered Cable Hang) - Page 3
- SHC (Single Hub Chain) - Page 4

FIGURE 1

PENDANT MOUNT

1. Locate Wiring Compartment (shipped separately). Wiring Compartment consists of main housing and (2) end panels.
2. With Wiring Compartment main housing in hand and with Cast Hub in another, secure Hub using both supplied Hub screws. See Figure 2.
3. Feed supply wiring thru Pendant (not provided). Install Pendant to J-box in ceiling (J-box not provided) using LSI model BC585 or similar, then to J-box. BC585 must be ordered separately, by others.
4. With Wiring Compartment main housing/Cast Hub assembly in hand, feed wiring from Pendant through Hub hole. Thread Pendant into Cast Hub. See Figure 2.

NOTE: Cast Hub is threaded for 3/4" trade size conduit (pendant).

5. Once tightened to Pendant, further secure Cast Hub to Pendant using set screw. Use Philips #2 screwdriver.
6. With XLHB in hand, connect luminaire to Wiring Compartment using side tabs. Snap side tabs over side of XLHB, locking into place.
7. Wire per National Electrical Code and local code. Be sure supply wiring matches luminaire wiring by following product label. See Figure 3. Push wiring and connections into Wiring Compartment. Install both Wiring Compartment end panels.

IMPORTANT: Do NOT allow wires to become pinched between XLHB and Wiring Compartment / end panels!



XLHB Series, cont'd.

PENDANT MOUNT, cont'd.

FIGURE 2

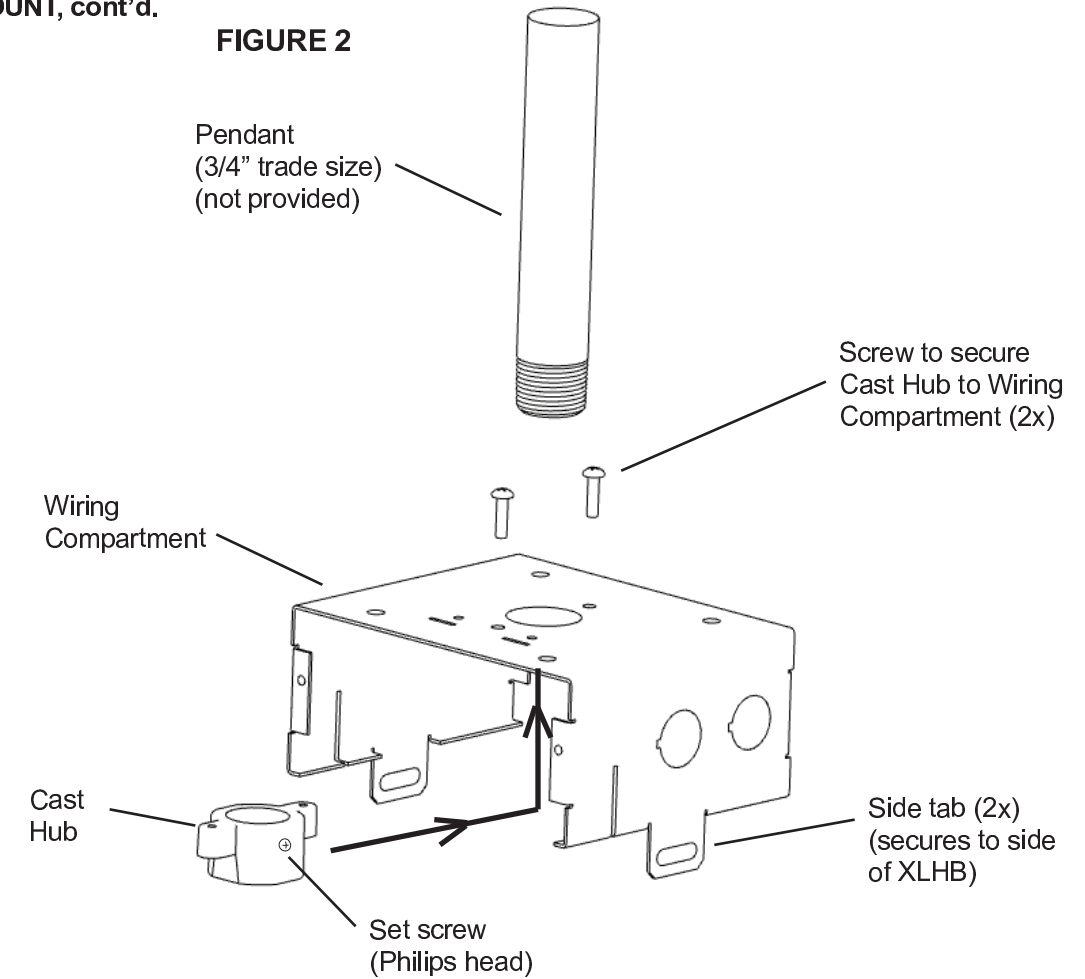
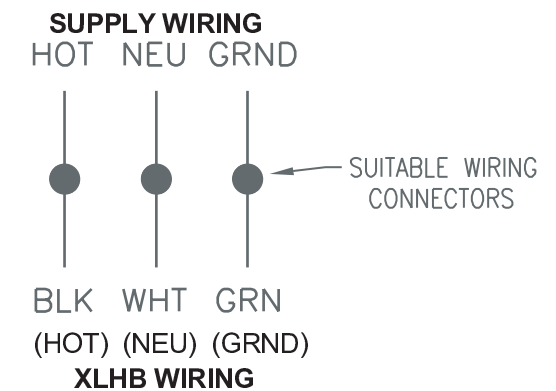


FIGURE 3

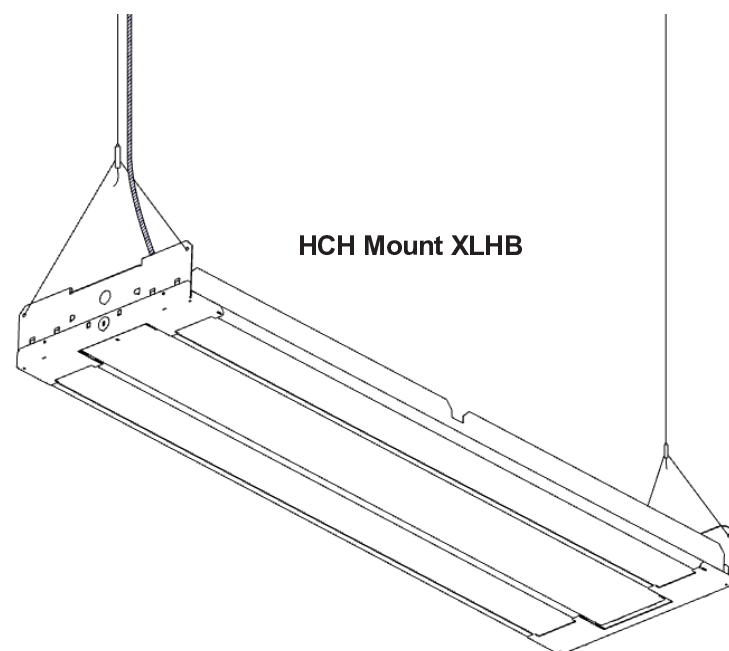
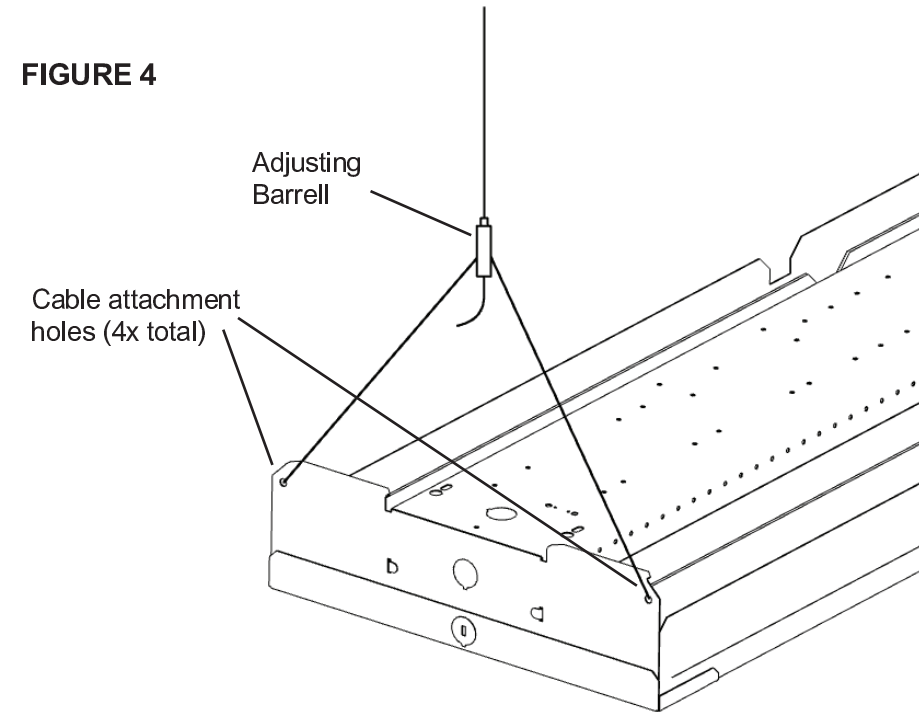


XLHB Series, cont'd.

HCH (HOOK CABLE) MOUNT

1. HCH model XLHB is equipped with either a power cable or power cable/plug.
2. Four (4) holes are supplied to attach tethered cable hooks to XLHB. See Figure 4.
3. Suspend XLHB from ceiling using cables. Adjust using barrel to achieve desired height. See Figure 4.
3. Electrically connect cord or plug to supply wiring using suitable wiring connectors. See Figure 3.

WARNING: Be sure supply wiring voltage matches XLHB voltage by comparing to product label!



XLHB Series, cont'd.

SHC (Single Hub Chain) MOUNT

1. SHC model XLHB may equipped with either a power cable or power cable/plug.
2. Use hook-and-chain kit (shipped separately) to mount XLHB.
3. Four (4) holes are located on ends of XLHB to attach S-Hooks. See Figure 5.
4. After connecting (4) S-Hooks to (4) end holes, feed opposite end of chain to Hub Plate using S-Hooks (4x).
5. Secure Pendant (3/4" trade size conduit) to Hub Plate See Figure 6.
6. Secure Pendant to ceiling using suitable connector to J-box (not supplied). LSI model BC585 (ball aligner) can be used. BC585 must be ordered separately, by others. **Note: Supply cord can be fed through Pendant to J-box.**
7. Electrically connect cord or plug to supply wiring using suitable wiring connectors. See Figure 3.

WARNING: Be sure supply wiring voltage matches XLHB voltage by comparing to product label!

FIGURE 5

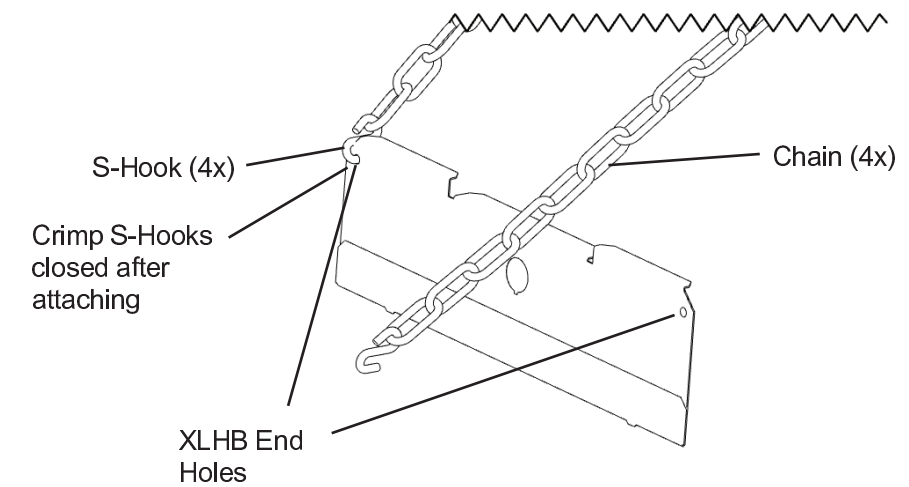
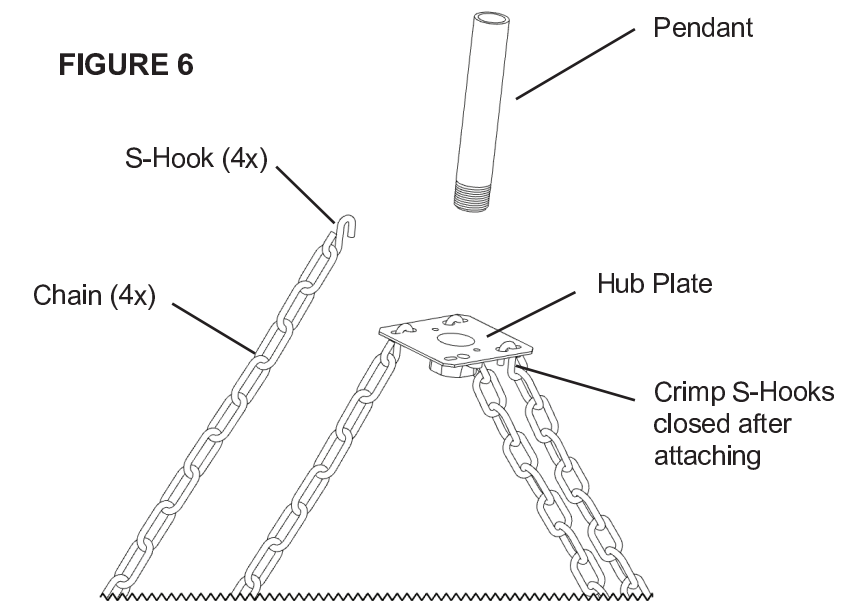


FIGURE 6



Installation Questions?
 Call LSI Field Service Department at:
 1-800-436-7800 Ext. 3300
 Fax: 1-877-861-1368

