

INSTALLATION AND ASSEMBLY INSTRUCTIONS
PQMH and PQM15 MOUNT BRACKETS
FOR USE WITH SLICE XLCM/XLCS AND PRACTICA PLCS ONLY
SMARTVISION®



BEFORE YOU BEGIN

Read these instructions completely and carefully, observing all CAUTIONS and WARNINGS shown throughout these instructions.

WARNING! RISK OF ELECTRIC SHOCK

- Disconnect or turn off power before installation or servicing.
- Verify that supply voltage is correct by comparing it with the luminaire label information.
- Make all electrical and grounded connections in accordance with the National Electrical Code (NEC) and any applicable local code requirements.

CAUTION: RISK OF INJURY

- Wear gloves and safety glasses at all times when removing luminaire from carton, installing, servicing or performing maintenance.
- Allow luminaire/driver to cool before handling.

NOTICE: RISK OF PRODUCT DAMAGE- Failure to follow instructions could result in damage to product and void ALL warranties!

- Only install fixture with lens facing downward.
- Never connect components under load.
- Do NOT mount or support these fixtures in a manner that can cut the outer jacket or damage wire insulation.
- Do NOT exceed fixtures maximum ambient temperature rating.

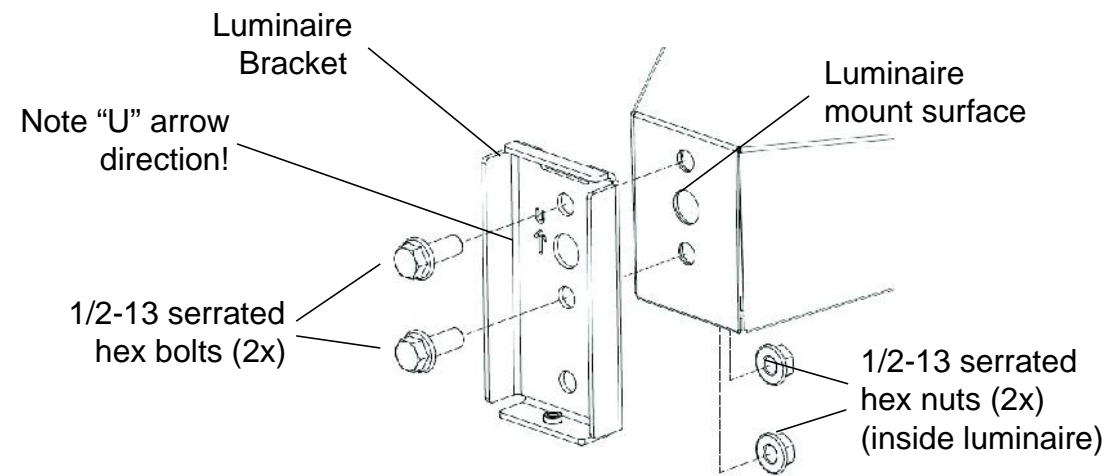
CLEANING INSTRUCTIONS

- It will occasionally be necessary to clean the outside of the lens. Frequency of cleaning will depend on ambient dirt level and minimum light output which is acceptable to the user.
- Lens should be wiped with a DAMP cloth with a solution of warm water and a mild, non-abrasive household detergent. Dry with soft, dry, clean cloth.
- Do NOT use chemical cleaners such as powder cleansers, bleach, etc.
- Do NOT use scouring pads, as this will scratch and damage the lens finish.
- Do NOT wipe with a soiled cloth or wet towel - these may leave a residue that can damage finish.
- Do NOT pressure wash or hose down luminaire.

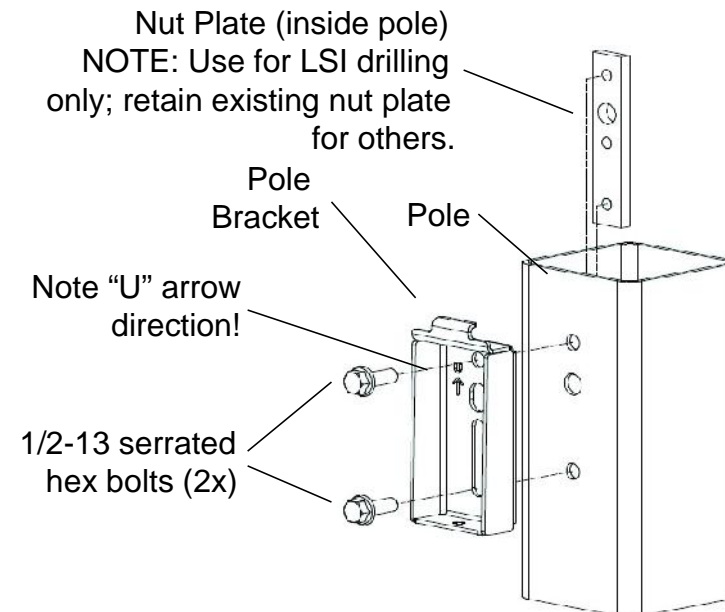
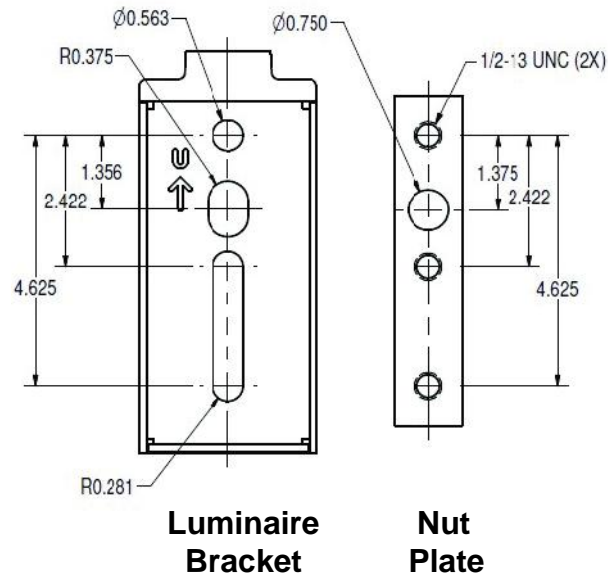


PQMH / PQM15, cont'd.

1. Use these installation instructions for the bracket portion only! You will also need to use the installation instructions included with the luminaire.
2. These installation instructions cover both PQMH and PQM15 bracket models. Most figures show PQMH model, but same steps are to be used for PQM15 model.
3. PQMH and PQM15 can be used on poles drilled for 3" reduced drill pattern (measures 2-7/16") or 5" traditional drill pattern (measures 4-5/8"), as well as competitor drilling pattern with straight line drilling.
4. Kit includes Luminaire Bracket, Pole Bracket, (4) 1/2-13 serrated flange bolts, (2) 1/2-13 serrated hex nuts, (1) Nut Plate, (1) 1/4-20 serrated hex bolt, and a hole plug.
5. Position the Luminaire Bracket, square and straight, up against the luminaire mounting surface. Be sure to follow "U" arrow for "UP". Secure using supplied hardware. Torque both bolts to 25 FT-LBS.

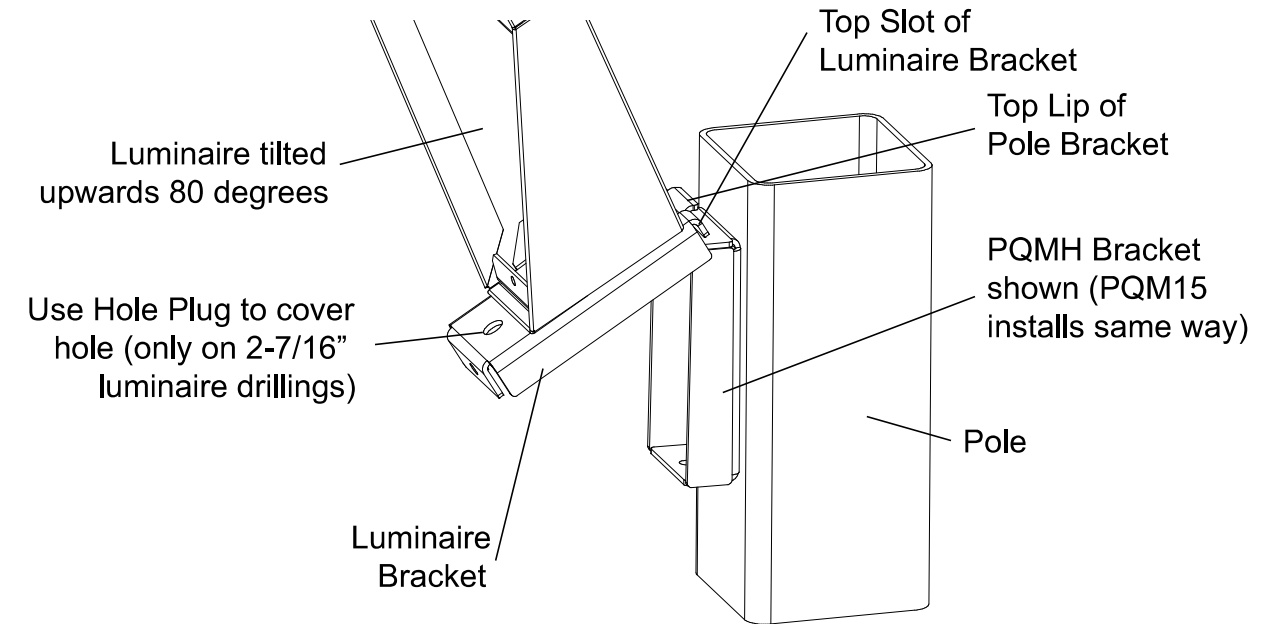


6. Position and align Pole Bracket, square and straight, against pole holes. See dimensions below of Luminaire Bracket and Nut Plate supplied. Be sure to follow "U" arrow for "UP". Secure using supplied hardware and Pole Plate. Torque both bolts to 25 FT-LBS.

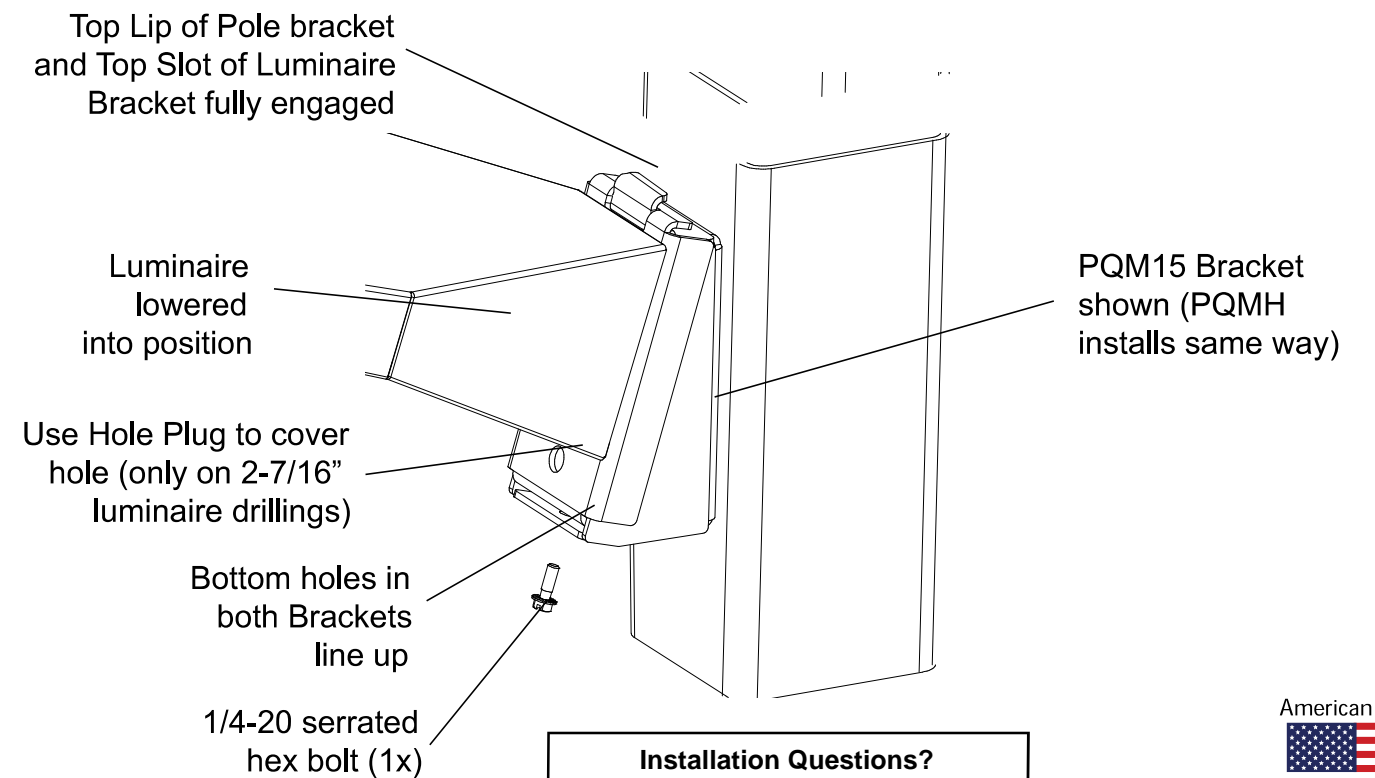


PQMH & PQM15, cont'd.

7. Tilt luminaire upwards approximately 80 degrees as shown below. Position Luminaire Bracket over the upper lip of Pole Bracket. Allow the luminaire to rotate downwards, making sure upper lip and slot of both brackets are fully engaged.



8. Refer to luminaire installation instructions for wiring details and method.
9. There are holes in the bottom of both Pole and Luminaire Brackets. Using supplied 1/4-20 serrated hex bolt, thread into these holes from the bottom. See below. Torque to 15 FT-LBS.



Installation Questions?
Call LSI Field Service Department at:
1-800-436-7800 Ext. 3300
Fax: 1-877-861-1368

