

Catalog # :

Project :

Prepared By :

Date :



Tellus 22" LED Area Light

The Tellus Area Light provides the best solution with the highest return on investment when replacing existing HID area lighting fixtures. Advanced optics with multiple light distribution patterns produce better light output with more footcandles and significant energy savings. Available with wireless controls.

Features & Specifications

Optical System

- Precision engineered individual lenses made of optical grade polycarbonate for maximum light intensity.
- Positioning of the LED modules within the housing result in light directed to desired locations and reduces offensive light.
- Types III, IV, V, Forward Throw and SLX Combo distributions are available. Select optics rotateable (see Performance chart).
- Delivers improved visual comfort by eliminating any glare and providing a wider smoother and more uniform light output.
- Available in 4500K color temperature.
- LSI LEDs provide higher lumen output and greater energy efficiency.
- Minimum CRI of 72.0

Electrical

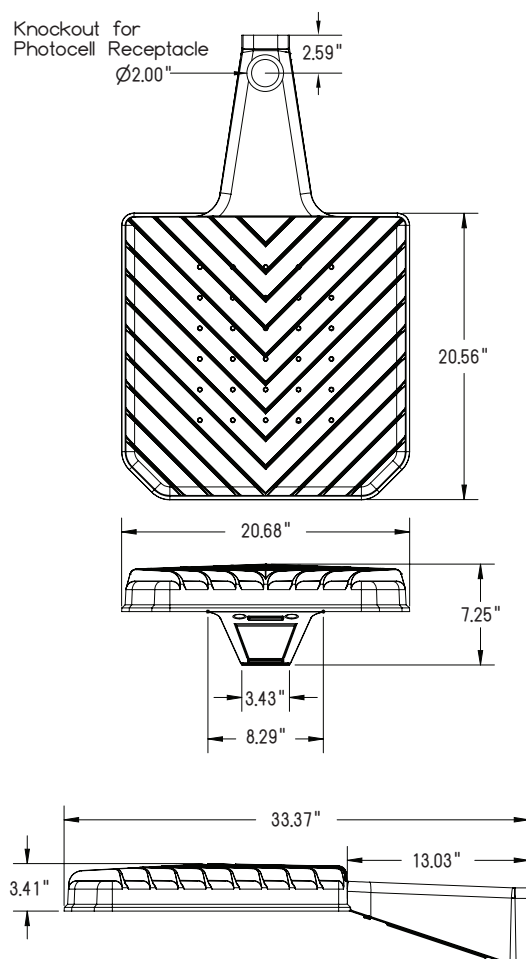
- Standard Universal Voltage (120-277 Vac) Input 50/60 Hz or optional High Voltage (480 Vac).
- L70 Calculated Life: 200,000+ Hours
- 0-10 volt dimming (10% - 100%) standard.
- Driver is constant current, Class 2, 120-277 Vac, 50-60 Hz
- High Efficiency Driver: minimum 88%
- Driver Off-State Power is 0 Watts

Construction

- Designed for commercial and industrial applications, providing cooler operating temperatures, brighter light and longer LED life.
- The housing is made of 100% aluminum and utilizes external airrow fins allow for greater heat dissipation.
- The easy access driver compartment is a thermally independent compartment, separate from LED generated heat, for cooler operation and longer driver life.
- The thermal stacking heat removal technology extracts heat from within the housing moving it away from LEDs and components.
- Epoxy Guard™ protective conformal coated boards
- Weight: 31.0 lbs.



Dimensions





Tellus 22" LED Area Light

Features & Specifications (Cont.)

Mounting

- The easy mount bracket makes installation to any style pole quick and easy.
- Tenon and other mounting accessories also available.

Warranty

- LSI LED Fixtures carry a 5-year warranty.

Listings

- LSI LED luminaires have been tested by an independent laboratory in accordance with IESNA LM-79 & LM-80.
- Listed to UL 1598 and UL 8750.
- RoHS Compliant.
- State of California Title 24.
- American Recovery and Reinvestment Act Funding Compliant.
- Lighting Facts Approved.
- DesignLights Consortium qualified. Eligible for rebates from DLC member utilities.
- Suitable For Wet Locations.

Performance

ELECTRICAL DATA*							
Lumens	120V	208V	240V	277V	347V	480V	Watts
23L	1.917	1.106	0.958	0.830	0.663	0.479	230
26L	2.250	1.298	1.125	0.975	0.778	0.563	270
34L	2.500	1.442	1.250	1.083	0.865	0.625	300
41L	3.000	1.731	1.500	1.300	1.037	0.750	360

RECOMMENDED LUMEN MAINTENANCE ¹					
Ambient	Initial ²	25 hr ²	50 hr ²	75 hr ³	100 hr ³
0° C	.99	.99	.988	.986	.985
10° C	.99	.99	.988	.986	.985
20° C	.99	.99	.988	.986	.985
30° C	.987	.98	.98	.986	.985
40° C	.987	.97	.956	.95	.932
50° C	.983	.95	.92	.89	.86

1 - Lumen maintenance values at 25C are calculated per TM-21 based on LM-80 data and in-situ testing.
 2 - In accordance with IESNA TM-21-11, Projected Values represent interpolated value based on time durations that are within six times the IESNA LM-80-08 total test duration for the device under testing.
 3 - In accordance with IESNA TM-21-11, Calculated Values represent time durations that exceed six times the IESNA LM-80-08 total test duration for the device under testing.

LUMINAIRE EPA CHART	
Single	.8
D180°	.9
D90°	1.8
D120°	1.8
T90°	2.7
TN120°	2.7
Q90°	2.7

Luminaire Ordering Guide

TYPICAL ORDER EXAMPLE: **TEL22 3 LED 34L 45 UNV BZA PCR**

Family Prefix	Distribution Pattern ¹	Light Source	Lumen Package	Color Temp	Voltage	Finish	Options / Controls
TEL22 = 22 Inch Tellus	3 - Type III ² 4 - Type IV FT - Forward Throw 5 - Type V SC - SLX Combo	LED	23L - 23,000 lumens 26L - 26,000 lumens 34L - 34,000 lumens 41L - 41,000 lumens	45 - 4500K	UNV - Universal Voltage (120-277V) HV - 480V	BLK - Black BZA - Bronze WHT - White MSV - Metallic Silver	PCR - Photoelectric Control Receptacle (7 pin) IMS - Integral Motion Sensor RP - Round Pole Adaptor ALSC UNV TL5 - AirLink 5 Pin Twist Lock Controller ALSC UNV TL7 - AirLink 7 Pin Twist Lock Controller

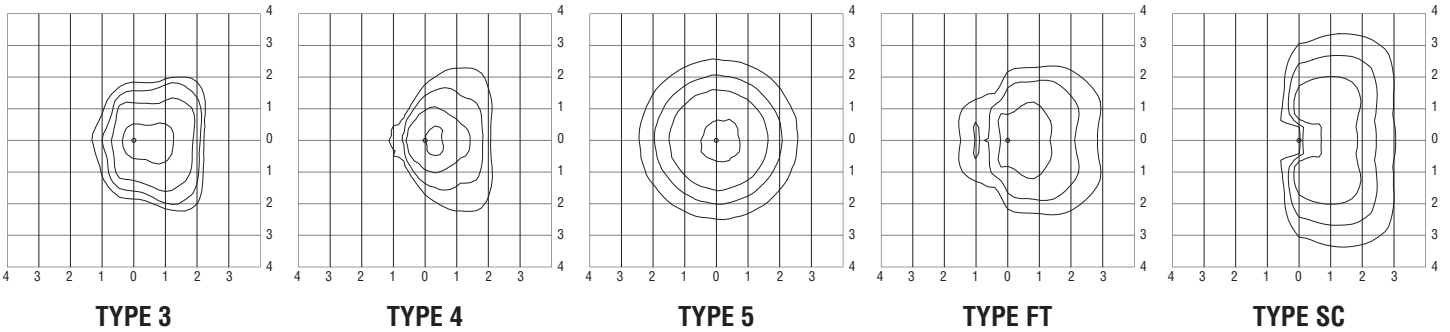
Notes:

- 1 - Rotateable optics: Add R for right facing, add L for left facing.
- 2 - Type 3 available in Rotated Optics Only, in the 34L package.



Performance (Cont.)

All published luminaire photometric testing performed to IESNA LM-79 standards by NVLAP, certified laboratory. ISO footcandle plots below demonstrate the Hilton (HLN) light patterns only. Not for total fixture output. For complete specifications and IES files, see website.



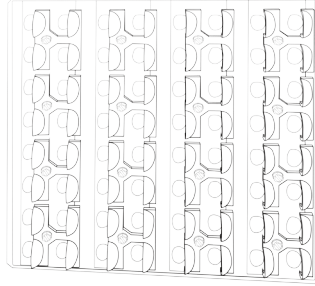
Lumens	Distribution Type	Delivered Lumens	Efficacy	BUG Rating	Wattage
23L	3	26,215	119	B3-U0-G3	221
	4	23,075	104	B3-U0-G3	221
	5	25,390	115	B4-U0-G2	221
	SC	25,399	115	B3-U0-G3	221
26L	3	31,187	114	B3-U0-G3	274
	4	27,099	99	B3-U0-G4	274
	5	29,376	107	B5-U0-G3	274
	FT	29,473	106	B3-U0-G4	278
	SC	30,212	110	B3-U0-G4	274
34L	4	31,013	103	B4-U0-G4	300
	5	33,389	112	B5-U0-G3	299
	FT	34,321	114	B3-U0-G4	300
	SC	33,803	113	B3-U0-G4	300
41L	4	36,451	103	B4-U0-G4	354
	5	40,210	113	B5-U0-G3	356
	FT	40,778	115	B4-U0-G5	356
	SC	41,107	115	B3-U0-G4	359



Accessories

Integral Louver (IL)

Optional Integral Louver available for improved back-light control without sacrificing side performance



Round Pole Adapter Bracket (RP)

Round Pole Adapter Bracket allows the fixture to be mounted to a round pole easily using only one bracket.

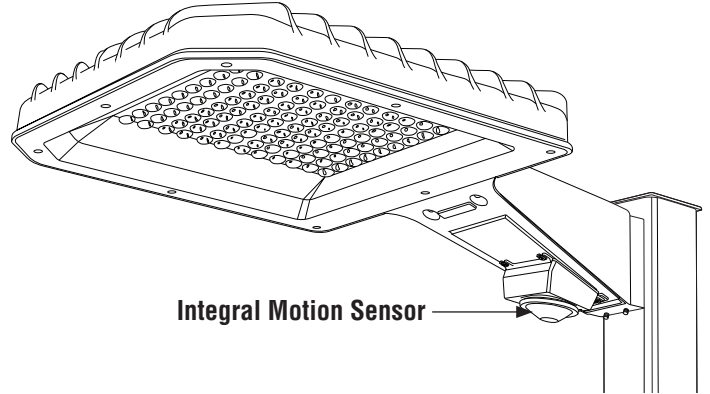


7-Pin Photoelectric Control (PCR)

7-pin ANSI C136.41-2013 photocontrol receptacle option available for twist lock photocontrols or wireless control modules. Control accessories sold separately. Dimming leads from the receptacle will be connected to the driver dimming leads (Consult factory for alternate wiring).

Integral Motion Sensor (IMS)

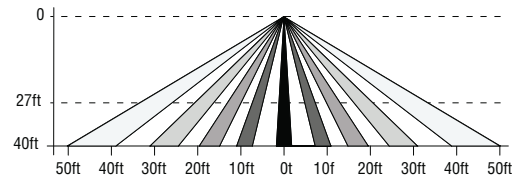
Optional integral passive infrared motion and daylight sensor activates switching of luminaire light levels. Standard Factory settings: High level light is activated and increased to full bright upon detection of motion. Low light level (30% maximum drive current) is activated when target zone is absent of motion activity for ~5 minutes. Sensor has a detection cone of approximately 45°, see coverage diagram.



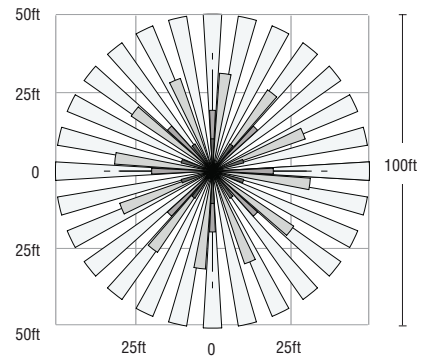
Integral Motion Sensor

Coverage Diagram

SIDE VIEW



TOP VIEW





AirLink™

enabled by Synapse®



Wireless Lighting Controller 5 Pin & 7 Pin Twist Lock

The 5 Pin Twist Lock Controller (TL5) & The 7 Pin Twist Lock Controller (TL7) are intelligent wireless lighting controllers with exceptional fault tolerance & a multitude of features. Each TL5 & TL7 provides intelligent On/Off switching, dimming, control, highly accurate power metering, status monitoring of your lighting fixtures & digital sensor input (TL7 only).

Features

- Integrated Photocell
- ANSI C136.41 Dimming Receptacle Support
- Utility grade power monitoring
- Remote control and scheduling
- Flexible Dimming Controls
- Secure, over-the-air upgrades to support future enhancements
- Seamless integration into the AirLink Site Manager system
- Digital sensor input for motion sensing (TL7 only)

Power and Performance

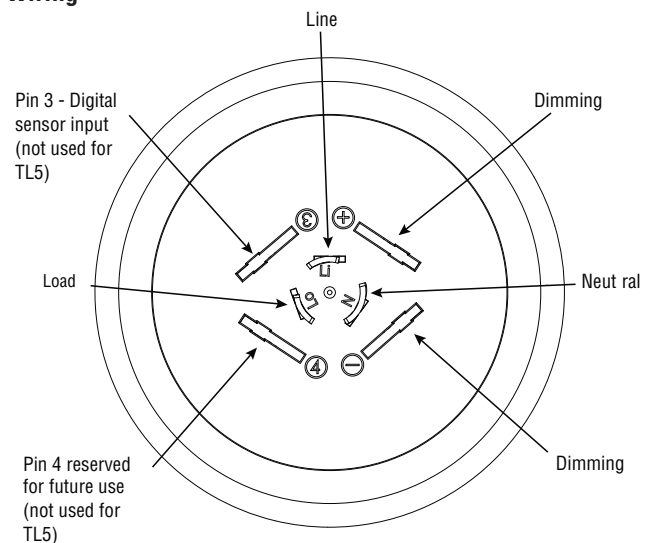
- Operating environmental: -40°F to 158°F (-40°C to 70°C); 20% to 90% RH non-condensing; IP66

- Input power: 100–277 VAC +/- 10% (Max 305V)50/60 Hz
- Switched output: Default ON
- Load rating: 5A @ 100V to 277V (+/- 10%)
- Dimming control: 0–10V with short circuit protection
- Dimming output: maximum current 10mA
- Sensor input: One digital input that can be used for motion-based lighting controls (TL7 only)
- Power monitoring: Utility grade - 2% accuracy
- Power readings: Voltage, Watts

Other

- Dimensions: 4.53" W x 2.68" H (115mm W x 68mm H)
- Radio: SNAP 2.4 GHz; 802.15.4; +20 dBm Transmit Power; -104 dBm Receive Sensitivity
- Warranty: 5 years

Wiring



Contact LSI Controls



Sales
controls.sales@lsi-industries.com



Support
controls.support@lsi-industries.com
1 (800) 436-7800 (support, option 8)



More information
For more information on AirLink, visit our website at www.lsi-airlink.com/airlink